

PEERLESS™ 2000 PARTS MANUAL

SIP™
SIMPLEX IDEAL PEERLESS



© SIP CORPORATION 2004-2007
ALL RIGHTS RESERVED
PART NUMBER 20001-03-8100

CONTENTS

Contents	3
Introduction.....	3
Table	4
Cylinders.....	6
Enclosure	8
Grinding Carriage	10
Infeed.....	12
Grinding Head	14
Indexer.....	15
Spin Motor	16
Fence	18
Tools	19
Pneumatics	20
Wiring.....	22

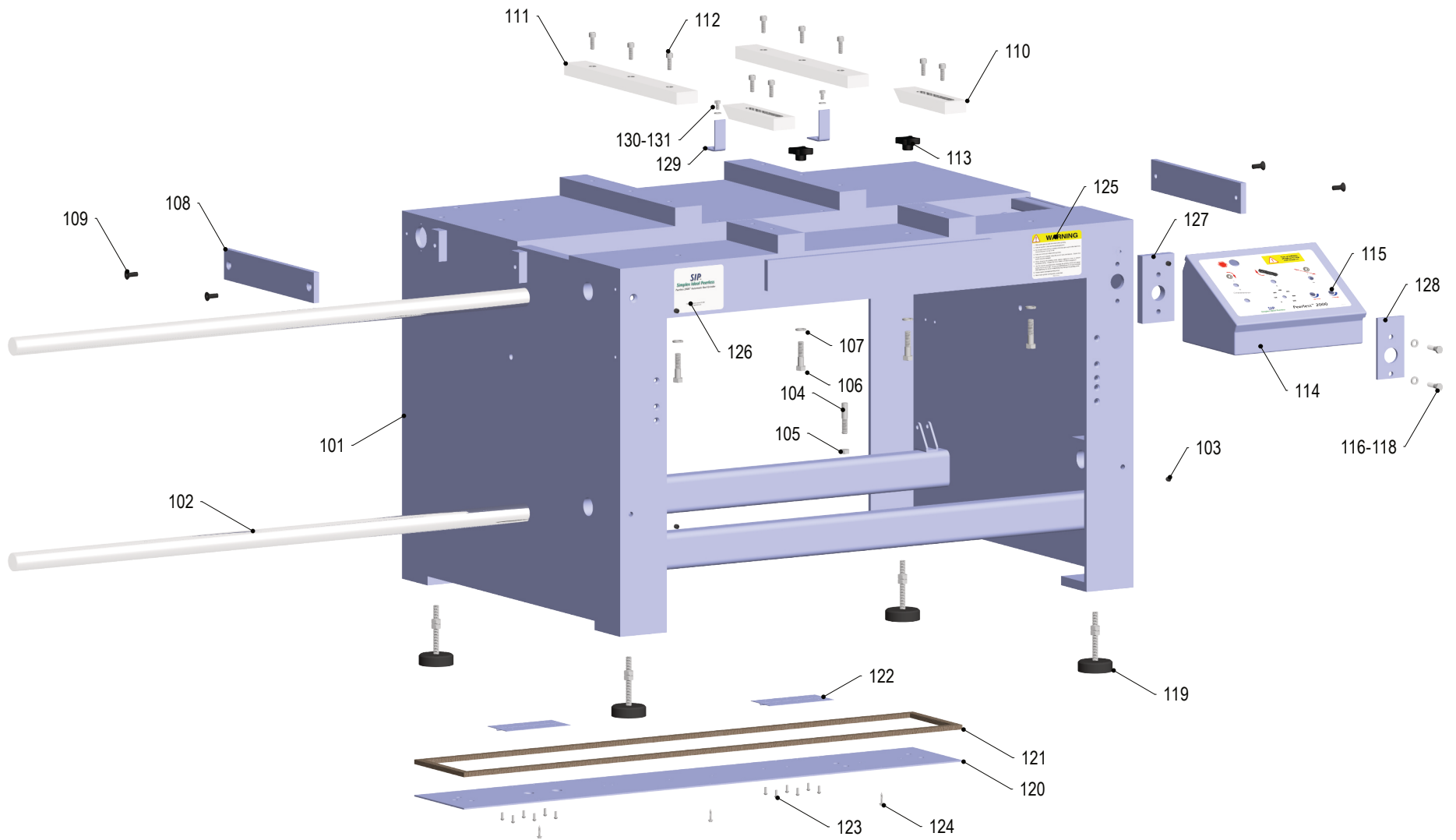
INTRODUCTION

This document is best viewed by Adobe® Reader® Version 6 or higher. Installation programs for Adobe Reader can be downloaded from www.adobe.com free of charge.

This document uses high resolution graphics so you can use Adobe Reader's Zoom Tool to magnify any part of the document for a more detailed look.

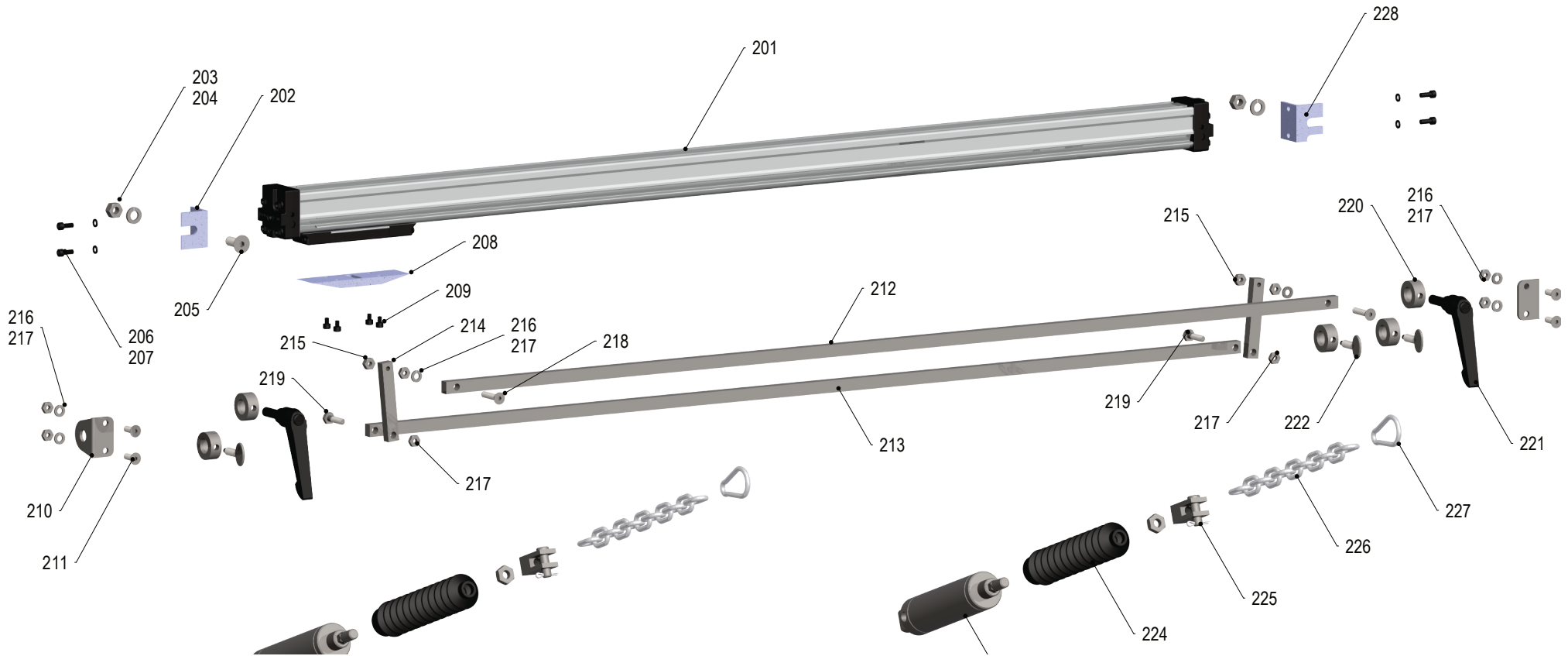
To order replacement parts, please supply your dealer with the part number, quantity, and description of each part. Each part in the illustration has an item number. The item number for a part also appears in the parts list, with information about the part.

TABLE



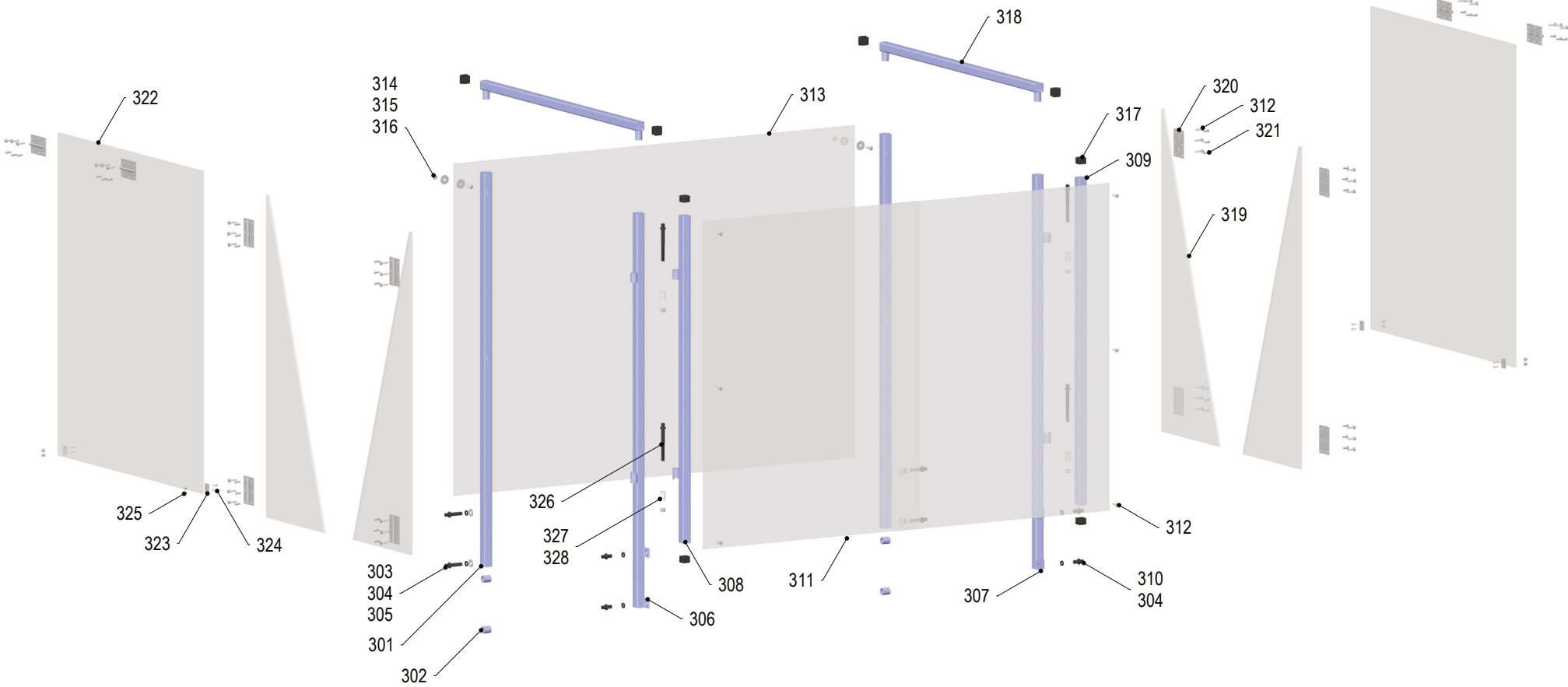
Item	Qty	Part No	Description
101	1 each	77201-02	Table
102	2 each	71305-03	Hard Chrome Bar 48
103	4 each	12506-03	3/8-16x3/8 Set Screw Cup Point
104	1 each	77335-01	Support Stud
105	1 each	12008-01	1/2-13 Nut Zinc Plated Grd 5
106	4 each	12308-14	1/2-13 x 1-1/2 Bolt
107	4 each	12108-01	1/2 Lock Washer Zinc Plated
108	2 each	77217-01	Spin Motor Mount
109	4 each	14506-10	3/8-16x1 Flat Socket Screw SS
110	2 each	77203-02	Front Reel Support Rail
111	2 each	77205-02	Rear Reel Support Rail
112	10 each	14606-10	3/8-16x1 Socket Cap Screw S.S.
113	2 each	77030-03	1/2-13 Thru Hole Knob
114	1 each	77517-03	Control Box for 2000
115	1 each	70007-05	2000 Face Plate Label
116	2 each	12006-01	3/8-16 Nut Zinc Plated Grd 5
117	2 each	12106-01	3/8 Lock Washer Zinc Plated
118	2 each	14306-14	3/8-16 x 1-1/2 12 point, grade 8 bolt
119	4 each	77219-01	Leveling Pads (Mount)
120	1 each	77327-01	Component Cover Plate
121	120 inches	11027-02	Weatherstripping
122	2 each	77347-02	Hinge
123	12 each	15001-03	3/16 x .590 Peel Type Blind Rivets
124	3 each	13103-06	#10x3/4 Hex Head Self Tap Screw
125	1 each	70001-01	Warning Label Tall
	1 each	70001-02	Warning Label Tall Japanese
126	1 each	70031-02	Serial Number Label
127	1 each	77519-02	Control Box Spacer Plate
128	1 each	77519-04	Backing Plate
129	2 each	77206-01	Roller Stop
130	2 each	12305-04	5/16-18 x 1/2 Bolt
131	2 each	12105-01	5/16 Lock Washer Zinc Plated

CYLINDERS



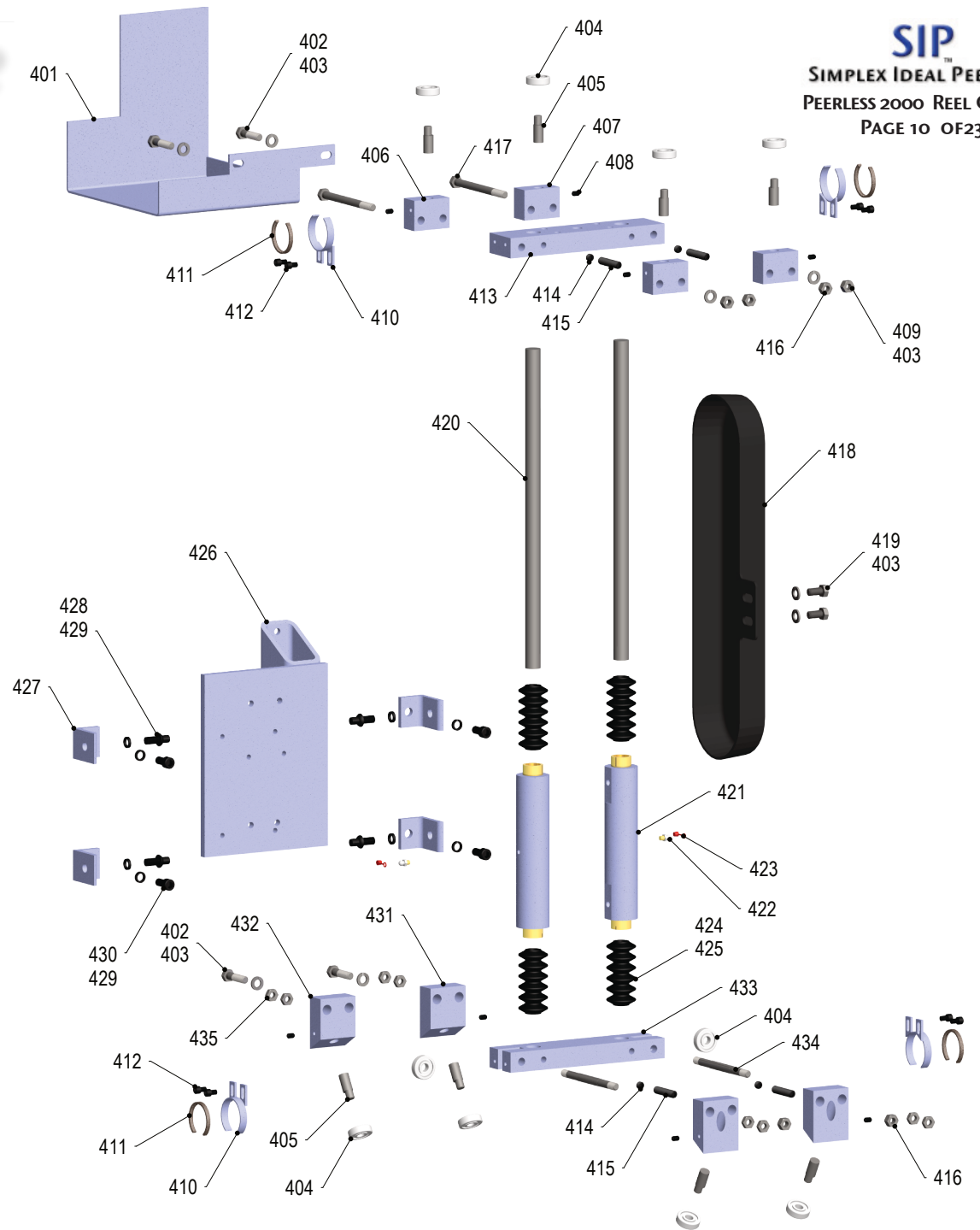
Item	Qty	Part No	Description
201	1 each	77013-03	Cylinder
202	2 each	77213-01	Cylinder Mounting Bracket
203	2 each	12006-01	3/8-16 Nut
204	2 each	12106-01	3/8 Lock Washer
205	1 each	14506-10	3/8-16 x 1 Countersunk Screw
206	4 each	12403-04	#10-24 x 1/2 Socket Head Screw
207	4 each	12103-01	#10 Lock Washer
208	1 each	77215-02	Cylinder Latch Bracket
209	4 each	12403-02	#10-24 x 1/4 Socket Head Screw
210	2 each	15029-02	Valve Mounting Bracket
211	4 each	14504-06	1/4-20 x 3/4 Countersunk Screw
212	1 each	77207-02	Fixed Reversing Rod
213	1 each	77207-01	Reversing Rod
214	2 each	77207-03	Reversing Rod Support
215	2 each	13604-01	1/4-20 Lock Nut
216	4 each	12104-01	1/4 Lock Washer
217	4 each	12004-01	1/4 Nut
218	2 each	14504-16	1/4-20 x 1-3/4 Countersunk Screw
219	2 each	12304-10	1/4-20 x 1 Bolt
220	5 each	74027-02	5/8 Collar
221	2 each	77048-04	Locking Screw
222	3 each	12705-06	5/16-18 x 3/4 Soft Tip Thumbscrew
223	2 each	77323-01	Clamping Cylinder
224	2 each	77324-01	Boot
225	2 each	77323-03	Cylinder Clevis
226	2 each	77104-01	3/16 Chain, 3 feet long
227	2 each	77104-08	Chain Hook
228	1 each	77213-04	Cylinder Mounting Bracket

ENCLOSURE

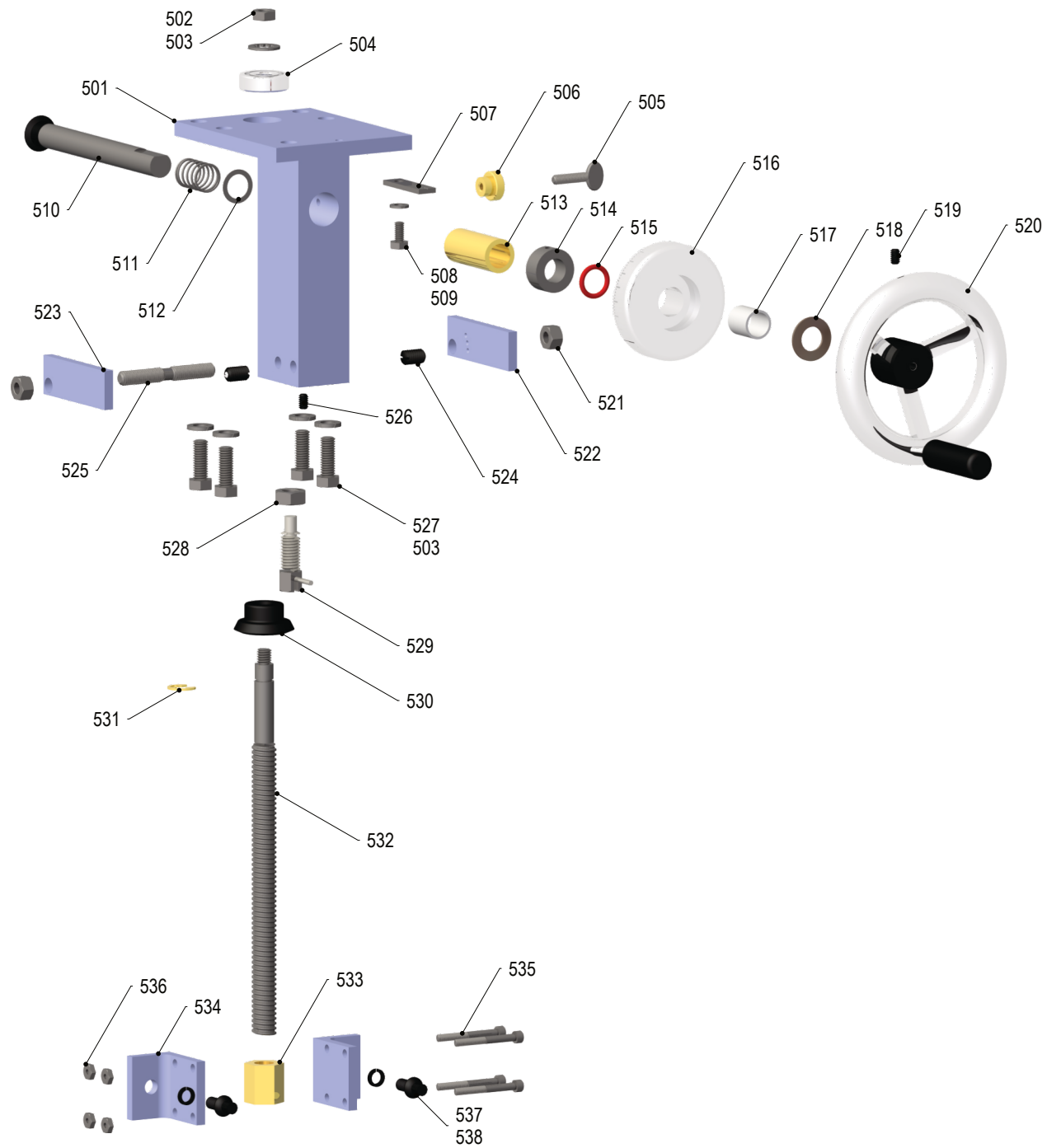


Item	Qty	Part No	Description
301	2 each	77342-03	Rear Support
302	4 each	77348-01	Rear Support Spacer
303	4 each	14306-14	3/8-16 x 1-1/2 12 Point Head Bolt
304	8 each	12106-05	3/8 Hi Collar Lock Washer
305	4 each	12206-01	3/8 Washer
306	1 each	77343-05	Left Front Support
307	1 each	77343-06	Right Front Support
308	1 each	77344-04	Left Door Support
309	1 each	77344-05	Right Door Support
310	4 each	14306-05	3/8-16 x 5/8 12 Point Head Bolt
311	2 each	77353-02	Front Door
312	42 each	13103-06	#10 x 3/4 Self Tapping Scew
313	1 each	77357-02	Rear Shield
314	4 each	13204-06	1/4-20 x 3/4 Carriage Bolt
315	8 each	12204-01	1/4 Washer
316	4 each	13604-01	1/4-20 Lock Nut
317	8 each	73170-04	Square Tubing Plug
318	2 each	77340-01	Side Bar
319	4 each	77354-01	Side Panel
320	12 each	77347-03	Hinge
321	36 each	15001-03	Rivet
322	2 each	77355-02	Side Shield
323	4 each	77358-01	Shield Clip
324	4 each	12300-03	#4-40 x 3/8 Screw
325	4 each	12000-01	#4-40 Acorn Nut
326	4 each	14306-34	3/8-16 x 3-1/2 12 Point Head Bolt
327	4 each	74350-01	Spring
328	4 each	13606-01	3/8-16 Lock Nut

GRINDING CARRIAGE

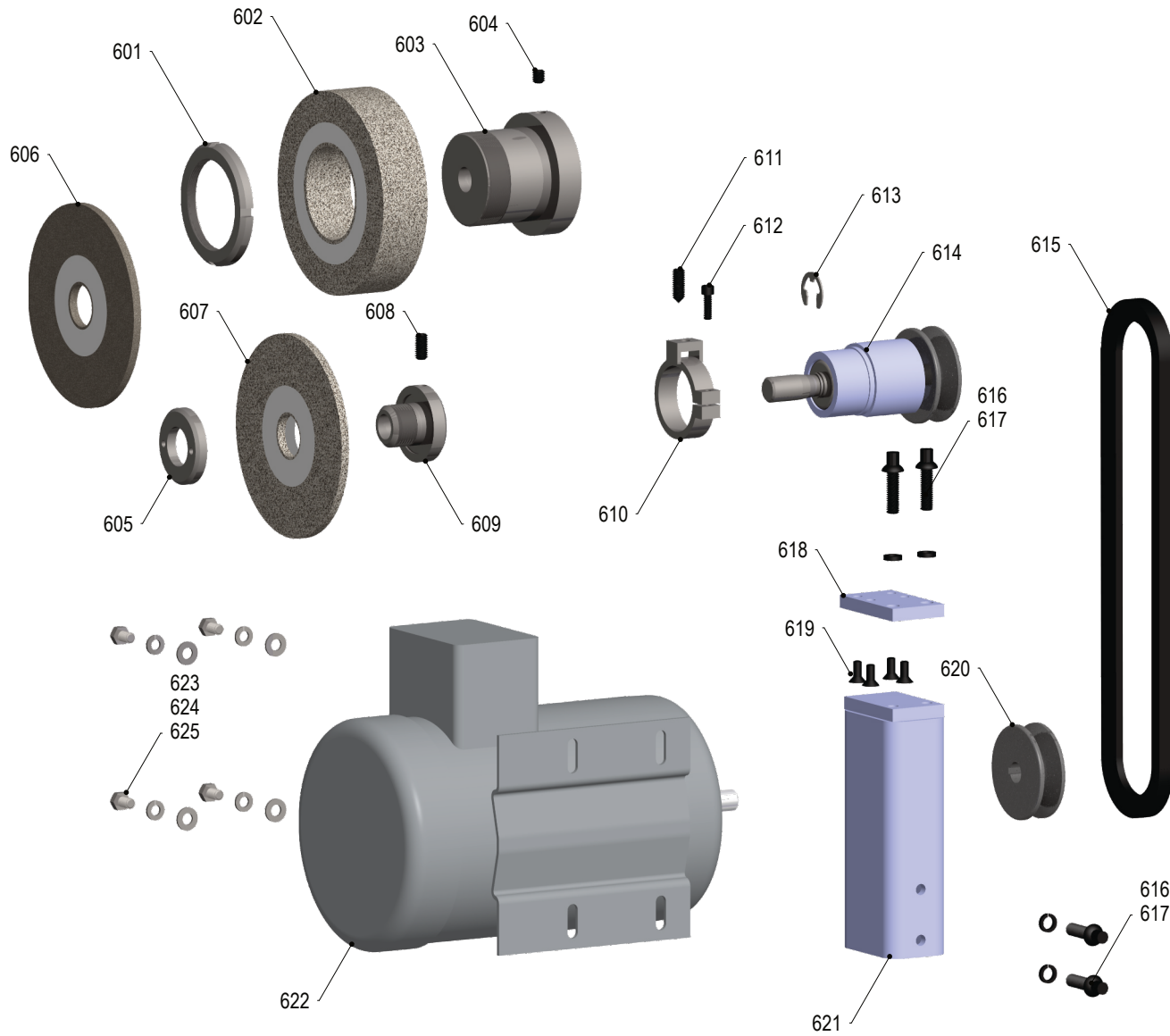


Item	Qty	Part No	Description
401	1 each	77291-01	Dust Collector
402	4 each	12306-14	3/8-16 x 1-1/2 Bolt
403	8 each	12106-01	3/8 Lock Washer
404	10 each	16129-00	Bearing
405	8 each	77225-01	Eccentric Bearing Axle
406	2 each	77223-01	Upper Bearing Block Right
407	2 each	77223-02	Upper Bearing Block Left
408	8 each	12504-03	1/4-20 x 3/8 Set Screw
409	2 each	12006-01	3/8-16 Nut
410	4 each	77231-01	Dust Wipe Mount
411	18 inch	11027-00	Dust Wipe
412	8 each	12404-03	1/4-20 x 3/8 Socket Head Bolt
413	1 each	77227-01	Upper Bearing Support
414	4 each	12606-03	3/8-16 x 3/8 Cone Point Set Screw
415	4 each	12506-16	3/8-16 x 1-3/4 Set Screw
416	6 each	13606-01	3/6-16 Lock Nut
417	2 each	12306-44	3/8-16 x 4-1/2 Bolt
418	1 each	77262-01	Belt Guard
419	2 each	12306-06	3/8-16 x 3/4 Bolt
420	2 each	77233-01	Carriage Shaft
421	2 each	77236-01	Motor Plate Tube & Bushings
422	2 each	15010-01	Grease Fitting
423	2 each	15010-02	Grease Fitting Cap
424	4 each	77324-01	Boot
425	8 each	15023-03	Wire Tie
426	1 each	77235-01	Motor Plate
427	4 each	77234-01	Motor Plate Bracket
428	4 each	14306-05	3/8-16 x 5/8 12 Point Bolt
429	8 each	12106-05	3/8 Hi-Collar Lock Washer
430	4 each	12406-04	3/8-16 x 1/2 Socket Head Bolt
431	2 each	77221-01	Lower Bearing Block Right
432	2 each	77221-02	Lower Bearing Block Left
433	1 each	77227-02	Lower Bearing Support
434	2 each	77229-01	Main Bearing Axle
435	8 each	12806-01	3/8-16 Jam Nut



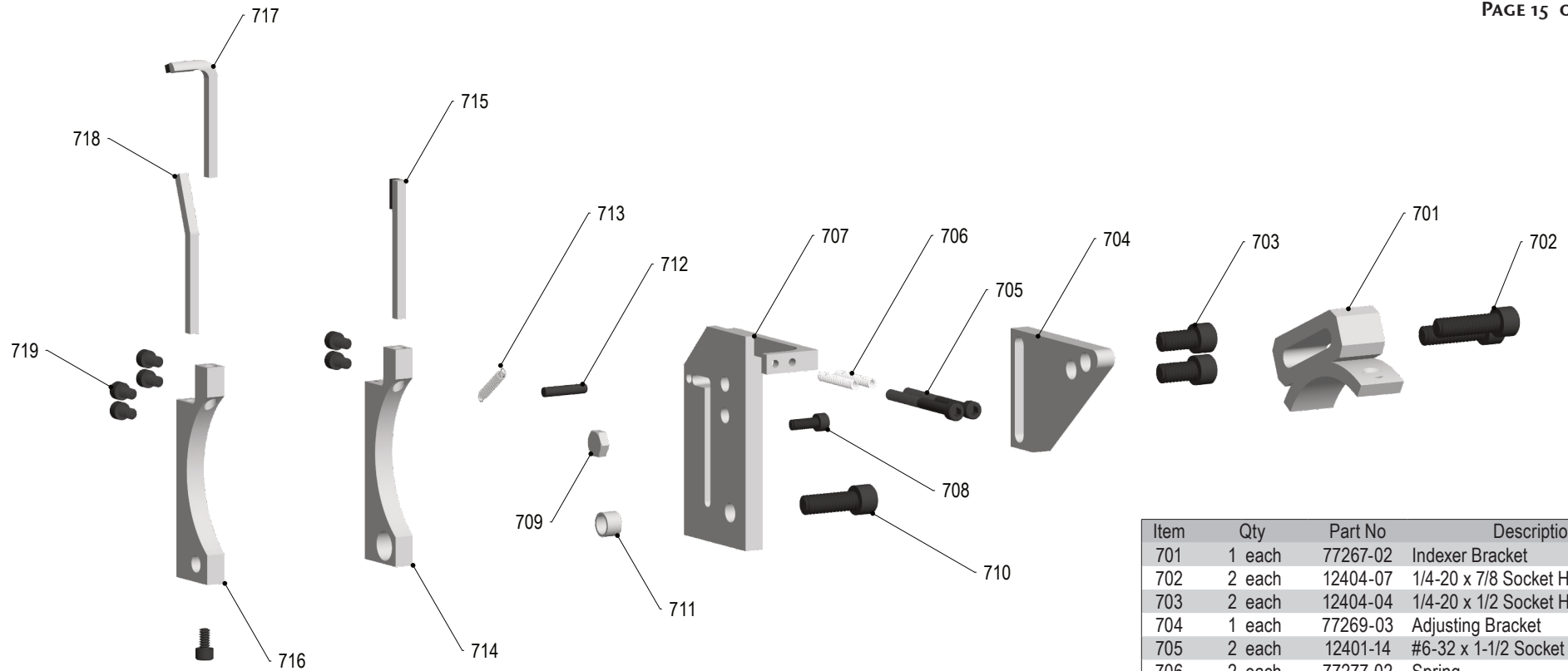
Item	Qty	Part No	Description
501	1 each	77241-02	Hand Wheel Support
502	1 each	12806-01	3/8-16 Jam Nut
503	5 each	12106-01	3/8 Lock Washer
504	1 each	16129-01	Bearing
505	1 each	12704-11	Soft Tip Thumb Screw
506	1 each	77257-01	Brass Knurled Nut
507	1 each	77258-01	Pointer
508	1 each	12404-04	1/4-20 x 1/2 Bolt
509	1 each	12104-01	1/4 Lock Washer
510	1 each	77255-02	Hand Wheel Shaft & Pinion
511	1 each	77254-01	Spring
512	1 each	77260-01	Shim
513	1 each	16350-02	Bushing
514	1 each	74027-02	Collar with Set Screw
515	1 each	15034-01	O-ring
516	1 each	77256-01	Hand Wheel Dial
517	1 each	72164-01	Bushing
518	1 each	75052-01	Fiber Washer
519	1 each	12505-03	5/16-18 x 3/8 Set Screw
520	1 each	74230-02	Hand Wheel
521	2 each	13606-01	3/8-16 Lock Nut
522	1 each	77245-02	Stop Lever Right
523	1 each	77245-01	Stop Lever Left
524	2 each	77247-02	Detent Plunger
525	1 each	77249-01	Stud
526	1 each	12504-03	1/4-20 x 3/8 Set Screw
527	4 each	12406-10	3/8-16 x 1 Bolt
528	1 each	12808-01	1/2 Hex Jam Nut
529	1 each	77243-01	Plunger
530	1 each	77253-01	Bevel Gear with Set Screw
531	1 each	15011-03	C-Clip
532	1 each	77251-01	Feed Screw
533	1 each	77239-01	Feed Nut
534	1 each	77237-01	Feed Nut Mount
535	4 each	12403-16	#10-24 x 1-3/4 Socket Head Bolt
536	4 each	13603-01	#10-24 Lock Nut
537	2 each	14305-05	5/16-18 X 5/8 12 Point Bolt
538	2 each	12105-05	5/16 Hi-Collar Lock Washer

GRINDING HEAD



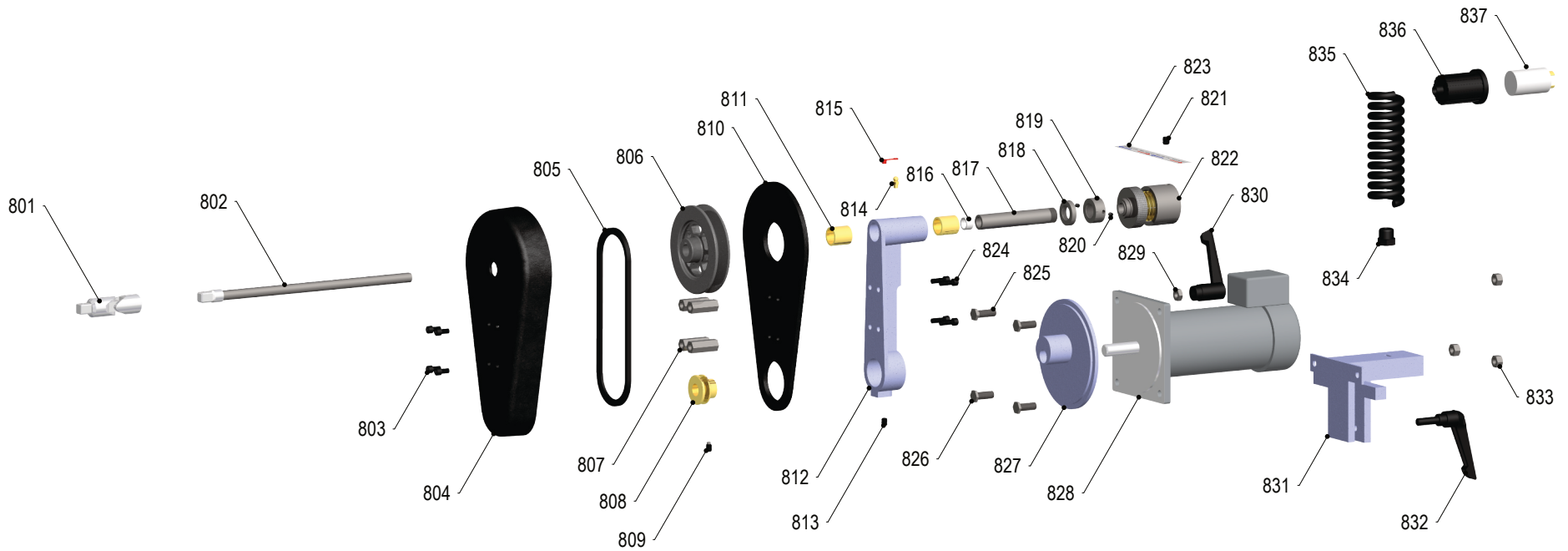
Item	Qty	Part No	Description
601	1 each	77283-01	Nut
602	1 each	79200-01	Spin Grinding Wheel
603	1 each	77281-01	Hub
604	2 each	12506-03	3/8-16 x 3/8 Set Screw
605	1 each	75010-01	Nut
606	1 each	79093-03	Relief Grinding Wheel
607	1 each	79097-01	Relief Grinding Wheel
608	1 each	12506-06	3/8-16 x 3/4 Set Screw
609	1 each	77287-01	Hub
610	1 each	77265-02	Indexer Mount
611	1 each	12606-10	3/8-16 x 1 Cone Point Set Screw
612	1 each	12404-06	1/4-20 x 3/4 Socket Head Bolt
613	1 each	15011-02	C-Clip
614	1 each	76390-10	Bearing Arbor Assembly
615	1 each	73050-36	36 Inch V-Belt
616	4 each	14306-05	3/8-16 x 5/8 12 Point Bolt
617	4 each	12106-05	3/8 Hi-Collar Lock Washer
618	1 each	76395-01	Arbor Mounting Plate
619	4 each	13004-05	1/4-20 x 5/8 Flat Head Screw
620	1 each	71409-03	Pulley
621	1 each	76400-01	Arbor Support
622	1 each	76177-05	1 HP Electric Motor 60 Hz
	1 each	76177-05	1 HP Electric Motor 50 Hz
623	4 each	12305-04	5/16-18 x 1/2 Bolt
624	4 each	12105-01	5/16 Lock Washer
625	4 each	12205-01	5/16 Washer

INDEXER



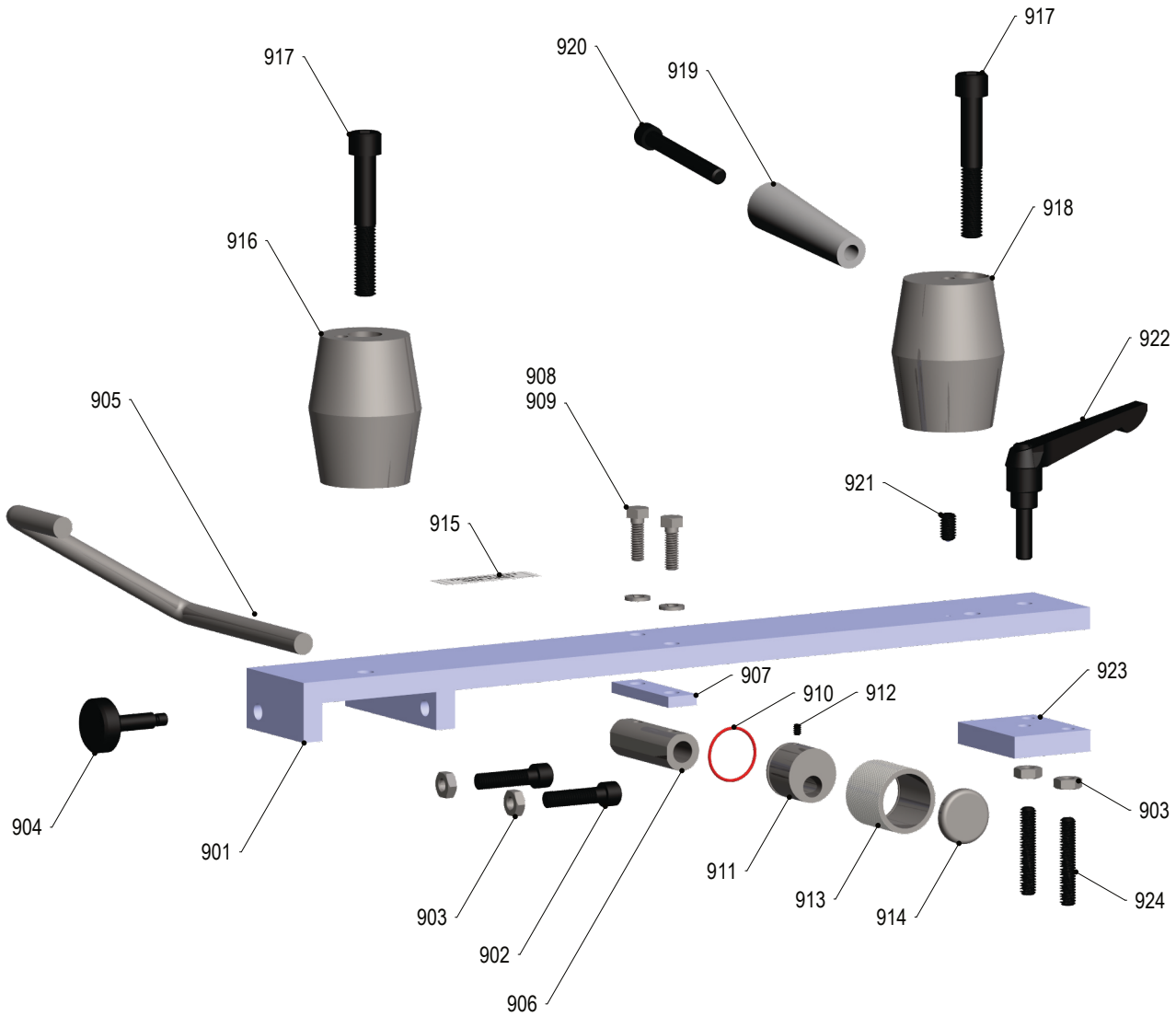
Item	Qty	Part No	Description
701	1 each	77267-02	Indexer Bracket
702	2 each	12404-07	1/4-20 x 7/8 Socket Head Bolt
703	2 each	12404-04	1/4-20 x 1/2 Socket Head Bolt
704	1 each	77269-03	Adjusting Bracket
705	2 each	12401-14	#6-32 x 1-1/2 Socket Head Bolt
706	2 each	77277-02	Spring
707	1 each	77271-03	Stop Mounting Bracket
708	1 each	12401-03	#6-32 x 3/8 Socket Head Bolt
709	1 each	12001-01	#6-32 Nut
710	1 each	12404-06	1/4-20 x 3/4 Socket Head Bolt
711	1 each	77266-01	Indexer Bushing
712	1 each	13802-05	Roll Pin
713	1 each	77277-04	Spring
714	1 each	77275-03	Indexer
715	2 each	77270-01	Indexer Stop
716	1 each	77279-04	Blade Stop Holder
717	1 each	77268-01	Blade Stop
718	1 each	77276-01	Safety Catch
719	7 each	12401-02	#6-32 x 1/4 Socket Head Bolt

SPIN MOTOR



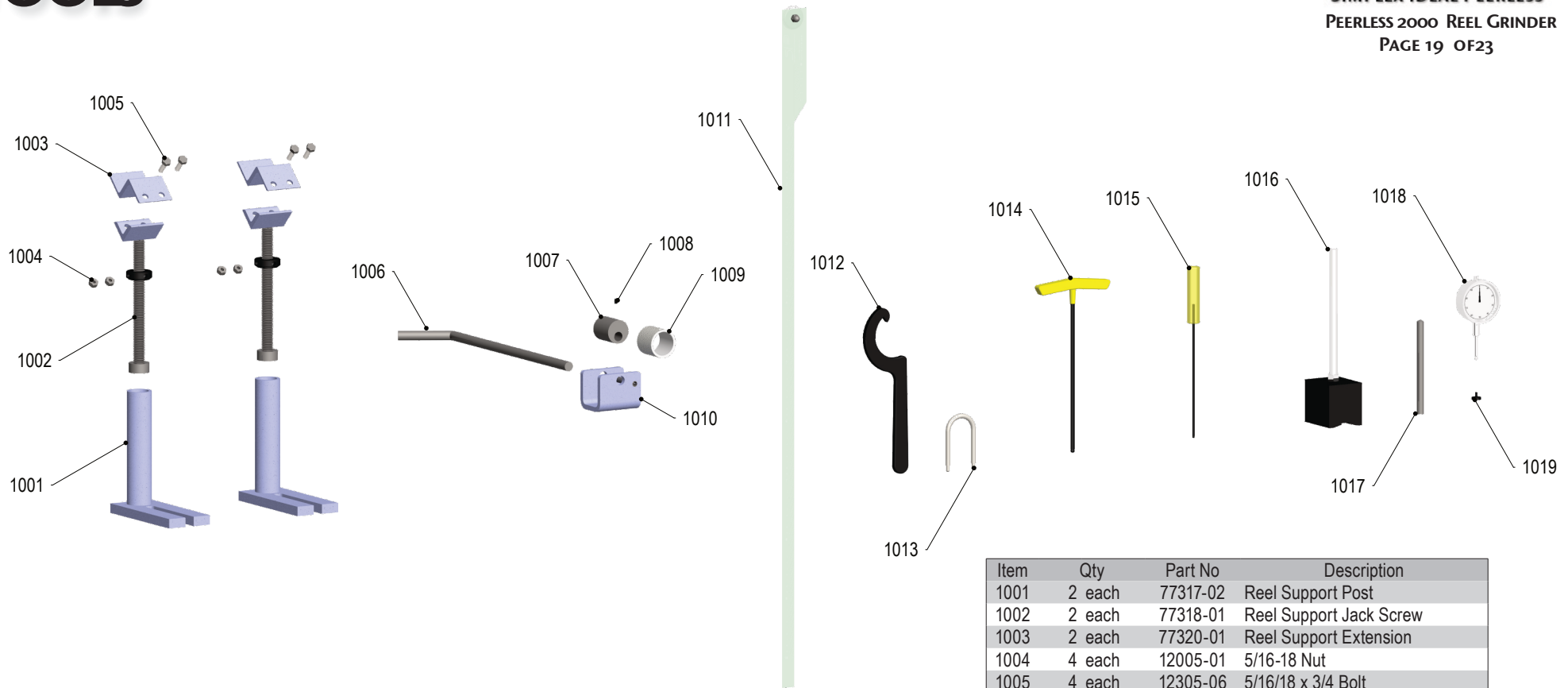
Item	Qty	Part No	Description
801	1 each	77309-02	Flex Coupler
802	1 each	77309-01	Spin Motor Shaft
803	4 each	12404-04	1/4-20 x 1/2 Socket Head Bolt
804	1 each	77305-01	Belt Guard
805	1 each	73050-24	24 Inch V Belt
806	1 each	71409-05	Pulley
807	4 each	13504-01	1/4-20 x 1-1/2 Coupling Nut
808	1 each	77112-01	Pulley
809	1 each	12505-03	5/16-18 x 3/8 Set Screw with Tip
810	1 each	77306-01	Belt Guard Plate
811	2 each	16350-03	Bushing
812	1 each	77303-01	Radius Arm
813	2 each	12505-03	5/16-18 x 3/8 Set Screw
814	1 each	15010-01	Grease Fitting
815	1 each	15010-02	Grease Fitting Cap
816	1 each	60640-01	Bushing
817	1 each	77307-11	Shaft Tube
818	1 each	77307-16	Lock Nut
819	1 each	77307-12	Shaft Tube End
820	2 each	12503-02	#10-24 x 1/4 Set Screw
821	1 each	12506-03	3/8-16 x 3/8 Set Screw
822	1 each	77308-01	Slip Clutch
823	1 each	70009-01	Clutch Label
824	4 each	12404-06	1/4-20 x 3/4 Socket Head Bolt
825	1 each	77301-02	Clamping Bolt
826	3 each	77301-01	Retaining bolt
827	1 each	77299-01	Radius Arm Plate
828	1 each	77295-06	Spin Motor 90 Volt DC
	1 each	77295-08	Spin Motor 180 Volt DC
829	1 each	12806-01	3/8-16 Jam Nut
830	1 each	77048-02	Locking Handle
831	1 each	77297-02	Spin Motor Bracket for 77295-06
832	1 each	77048-01	Locking Screw
833	3 each	12006-01	3/8 Nut
834	1 each	75093-13	Strain Relief
835	1/2 each	75093-12	Coiled Cord
836	1 each	75104-07	Plug Boot
837	1 each	75104-08	Locking Plug

FENCE



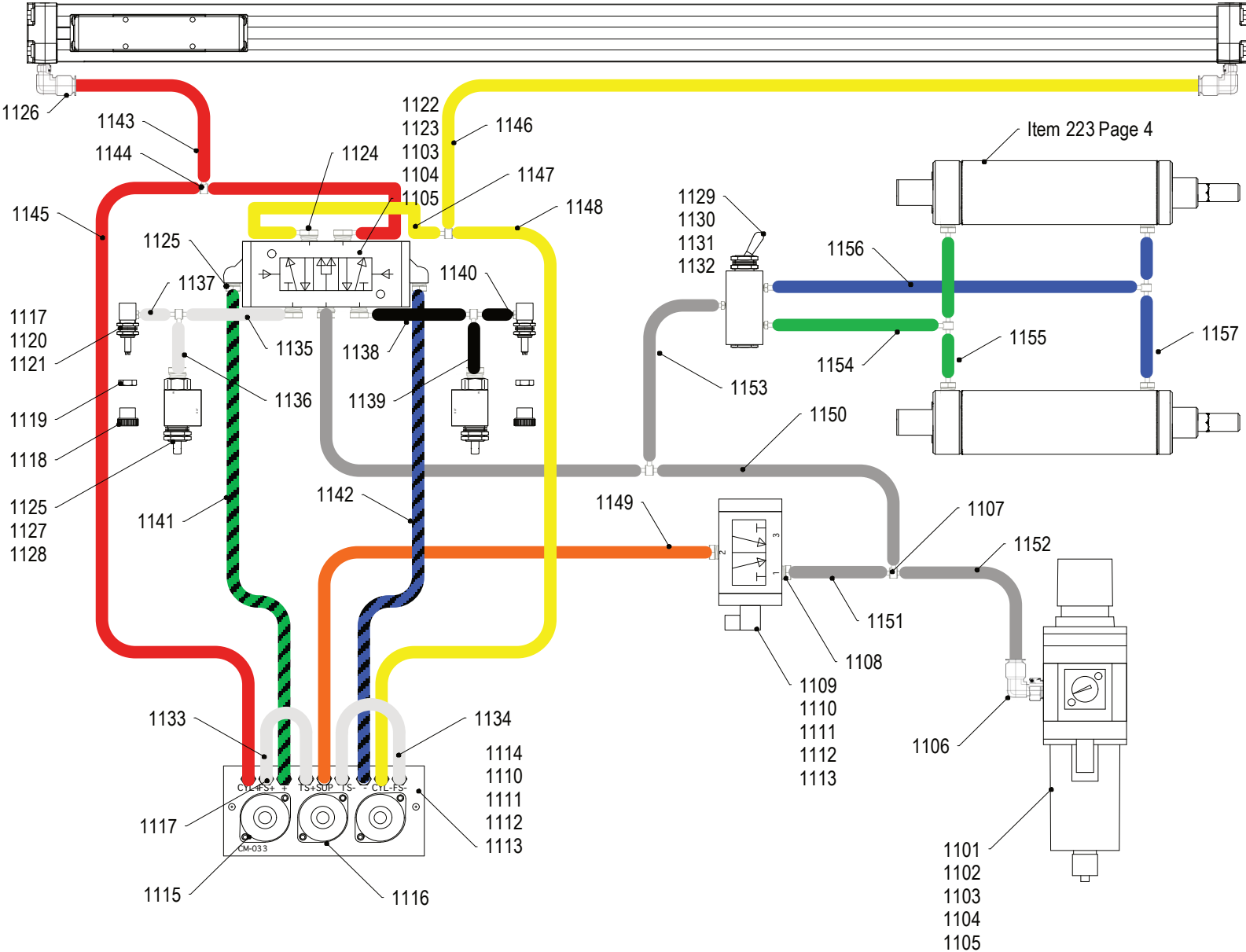
Item	Qty	Part No	Description
901	1 each	77311-03	Fence Base
902	2 each	14606-14	3/8-16 x 1-1/2 SS Socket Head Bolt
903	4 each	12806-01	3/8-16 Hex Jam Nut
904	1 each	77310-01	Toggle Bolt
905	1 each	77314-01	Reel Jack Handle
906	1 each	77315-01	Reel Jack Bracket
907	1 each	77315-02	Spacer
908	2 each	12305-10	5/16-18 x 1 Bolt
909	2 each	12105-01	5/16 Lock Washer
910	1 each	15034-02	O-ring
911	1 each	77316-02	Reel Jack Cam
912	1 each	12503-02	#10-24 x 1/4 Set Screw
913	1 each	77330-02	Jack Roller
914	1 each	77334-01	Plug
915	1 each	70011-01	Tighten Left Label
	1 each	70011-02	Tighten Left Label Japanese
916	1 each	77313-03	Fixed Post
917	2 each	12408-32	1/2-13 x 3-1/4 Socket Head Bolt
918	1 each	77313-04	Adjustable Post
919	1 each	72351-03	Handle
920	1 each	12406-30	3/8-16 x 3 Socket Head Bolt
921	1 each	77247-02	Detent Plunger
922	1 each	77048-03	Locking Handle
923	1 each	77312-01	Fence Clamp
924	2 each	12506-16	3/8-16 x 1-3/4 Set Screw

TOOLS



Item	Qty	Part No	Description
1001	2 each	77317-02	Reel Support Post
1002	2 each	77318-01	Reel Support Jack Screw
1003	2 each	77320-01	Reel Support Extension
1004	4 each	12005-01	5/16-18 Nut
1005	4 each	12305-06	5/16/18 x 3/4 Bolt
1006	1 each	77314-02	Handle
1007	1 each	77316-01	Reel Jack Cam
1008	1 each	12503-02	#10-24 x 1/4 Cup Point Set Screw
1009	1 each	77330-01	Jack Roller
1010	1 each	77332-01	Base
1011	1 each	77017-01	Pi Tape
1012	1 each	77285-01	Spanner Wrench
1013	1 each	75011-01	U-Wrench
1014	1 each	77289-01	Allen Wrench
1015	1 each	77289-02	Allen Wrench
1016	1 each	77021-02	Magnetic Base
1017	1 each	79180-01	Diamond Dresser
1018	1 each	77021-01	Dial Indicator
1019	1 each	77021-05	Flat Tip

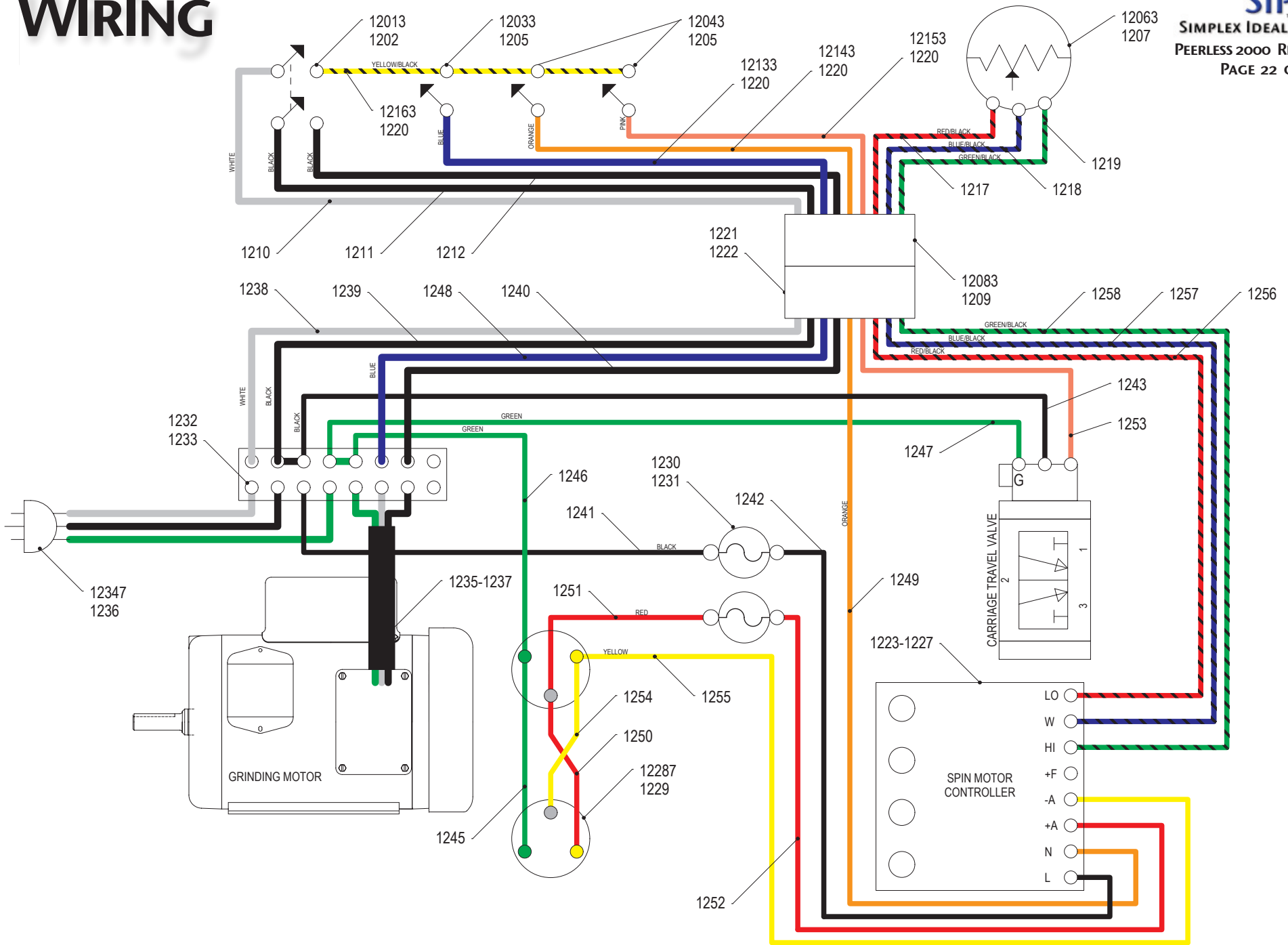
PNEUMATICS



Item	Qty	Part No	Description
1101	1 each	15019-01	Filter Regulator
1102	1 each	15014-84	1/4 x 1/4 Street Elbow
1103	2 each	12404-04	1/4-20 x 1/2 Socket Head Bolt
1104	4 each	12104-01	1/4 Lock Washer
1105	4 each	12204-01	1/4 Washer
1106	4 each	12004-01	1/4-20 Nut
1107	1 each	15014-25	1/4 x 1/4 NPT Male Swivel Elbow
1108	8 each	15014-61	Union Tee Hose Barb
1109	1 each	15021-04	Electric On-Off Valve 120 Volt
	1 each	15021-05	Electric On-Off Valve 200 Volt
	1 each	15021-06	Electric On-Off Valve 240 Volt
1110	4 each	12400-14	#5-40x 1-1/2 Screw
1111	4 each	12201-01	Washer
1112	4 each	12101-01	Lock Washer
1113	4 each	12000-02	#5-40 Nut
1114	1 each	15017-04	Acrylic Sub Base
1115	2 each	15017-02	R301 Valve
1116	1 each	15017-03	R402 Valve
1117	9 each	15014-71	1/8 x #10-32 Hose Barb
1118	2 each	15020-02	Needle Valve
1119	5 each	15014-51	#10-32 Elbow
1120	2 each	12003-02	#10-32 Nut
1121	2 each	77257-02	#10-32 Knurled Nut
1122	1 each	15016-02	Air Pilot Valve
1123	2 each	12304-16	1/4-20 x 1-3/4 Bolt
1124	4 each	15014-76	1/8 x 1/8 NPT Elbow Hose Barb
1125	5 each	15014-77	1/8 x 1/4 NPT Elbow Hose Barb
1126	2 each	15014-21	1/4 x 1/8 NPT Male Swivel Elbow
1127	3 each	15029-01	Reversing Valve
1128	1 each	15030-01	Clamp Valve
1129	1 each	75105-01	Switch Guard
1130	1 each	75104-26	Safety Pin
1131	1 each	15001-03	Rivet

Item	Qty	Part No	Description
1132	3 inches	15022-14	Polyurethane Tube Clear
1133	4 inches	15022-14	Polyurethane Tube Clear
1134	1 inch	15022-14	Polyurethane Tube Clear
1135	75 inches	15022-14	Polyurethane Tube Clear
1136	56 inches	15022-14	Polyurethane Tube Clear
1137	1 inch	15022-17	Polyurethane Tube Black
1138	115 inches	15022-17	Polyurethane Tube Black
1139	56 inches	15022-17	Polyurethane Tube Black
1140	12 inches	15022-15	Polyurethane Tube Green/Blk
1141	12 inches	15022-12	Polyurethane Tube Blue/Blk
1142	105 inches	15022-18	Polyurethane Tube Red
1143	1 inches	15022-18	Polyurethane Tube Red
1144	12 inches	15022-18	Polyurethane Tube Red
1145	50 inches	15022-13	Polyurethane Tube Yellow
1146	1 inches	15022-13	Polyurethane Tube Yellow
1147	10 inches	15022-13	Polyurethane Tube Yellow
1148	12 inches	15022-11	Polyurethane Tube Orange
1149	17 inches	15022-16	Polyurethane Tube Gray
1150	2x1 inch	15022-16	Polyurethane Tube Gray
1151	30 inches	15022-16	Polyurethane Tube Gray
1152	65 inches	15022-16	Polyurethane Tube Gray
1153	65 inches	15022-15	Polyurethane Tube Green
1154	42x2 inches	15022-15	Polyurethane Tube Green
1155	65 inches	15022-12	Polyurethane Tube Blue
1156	36x2 inches	15022-12	Polyurethane Tube Blue
1157	4 each	15014-75	1/8 x 1/8 NPT Hose Barb
1158	11 inches	15023-02	1/2 Tubing Lume
1159	5 each	15023-03	Wire Tie
1160	3 each	71351-03	Grommet
1161	1 each	71351-05	Grommet

WIRING



Item	Qty	Part No	Description
1201	2 each	75104-13	Contact Block
1202	1 each	75104-12	Mushroom Button
1203	1 each	75093-19	Toggle Switch
1204	2 each	75093-04	Toggle Switch
1205	3 each	75093-11	Toggle Boot
1206	1 each	77295-07	Potentiometer
1207	1 each	77295-03	Knob
1208	1 each	75093-29	Plug
1209	9 each	75093-33	Pin
1210	6 inches	75092-21	14 Gauge Wire White
1211	6 inches	75092-22	14 Gauge Wire Black
1212	6 inches	75092-22	14 Gauge Wire Black
1213	6 inches	75092-25	14 Gauge Wire Blue
1214	5 inches	75092-18	18 Gauge Wire Orange
1215	5 inches	75092-03	20 Gauge Wire Red
1216	3 x 3 inches	75092-34	18 Gauge Wire Yellow/Black
1217	5 inches	75092-33	18 Gauge Wire Red/Black
1218	5 inches	75092-35	18 Gauge Wire Blue/Black
1219	5 inches	75092-36	18 Gauge Wire Green/Black
1220	14 each	75093-10	Spade Fastener
1221	1 each	75093-30	Receptacle
1222	9 each	75093-34	Socket
1223	1 each	77295-02	Controller Board
1224	2 each	12401-04	#6-32 x 1/2 Screw
1225	2 each	12201-01	#6 Washer
1226	2 each	12101-01	#6 Lock Washer
1227	2 each	12001-01	#6-32 Nut
1228	2 each	75104-09	Spin Motor Outlet
1229	4 each	12303-03	#10-24 x 3/8 Screw
1230	2 each	75104-14	Fuse Holder

Item	Qty	Part No	Description
1231	2 each	75104-15	5 Amp Fuse
1232	1 each	75093-27	Terminal Block
1233	3 each	75093-28	Jumper
1234	1 each	75093-17	Power Cord
1235	1/2 each	75093-12	Coiled Cord
1236	3 each	75093-13	Strain Relief
1237	3 each	75093-08	Wire Nut
1238	96 inches	75092-21	14 Gauge Wire White
1239	96 inches	75092-22	14 Gauge Wire Black
1240	96 inches	75092-22	14 Gauge Wire Black
1241	12 inches	75092-22	14 Gauge Wire Black
1242	12 inches	75092-22	14 Gauge Wire Black
1243	6 inches	75092-02	20 Gauge Wire Black
1244	18 inches	75092-16	18 Gauge Wire Green
1245	50 inches	75092-16	18 Gauge Wire Green
1246	18 inches	75092-16	18 Gauge Wire Green
1247	6 inches	75092-06	20 Gauge Wire Green
1248	96 inches	75092-25	14 Gauge Wire Blue
1249	60 inches	75092-18	18 Gauge Wire Orange
1250	50 inches	75092-13	18 Gauge Wire Red
1251	21 inches	75092-13	18 Gauge Wire Red
1252	6 inches	75092-13	18 Gauge Wire Red
1253	80 inches	75092-03	20 Gauge Wire Red
1254	50 inches	75092-14	18 Gauge Wire Yellow
1255	45 inches	75092-14	18 Gauge Wire Yellow
1256	60 inches	75092-33	18 Gauge Wire Red/Black
1257	60 inches	75092-35	18 Gauge Wire Blue/Black
1258	60 inches	75092-36	18 Gauge Wire Green/Black
1259	4 each	75093-15	Quick Disconnect